



SLP90-12/ SLP95-12

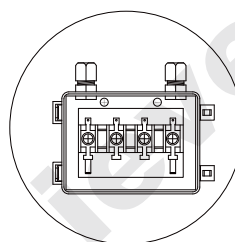
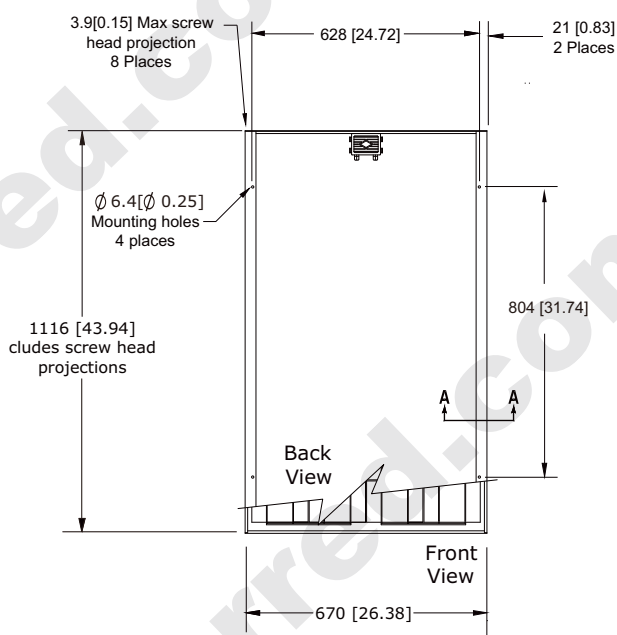
Electrical Characteristics	SLP90-12	SLP95-12
Maximum power (P _{max})	90W	95W
Voltage at P _{max} (V _{mp})	17.2V	17.2V
Current at P _{max} (I _{mp})	5.23A	5.52A
Open-circuit voltage (V _{oc})	21.6V	21.6V
Short-circuit current (I _{sc})	5.81A	6.15A
Temperature coefficient of V _{oc}	(0.065±0.015)%/ °C	(0.065±0.015)%/ °C
Temperature coefficient of I _{sc}	-(80±10)mV/°C	-(80±10)mV/°C
Temperature coefficient of power	-(0.5±0.05)%/ °C	-(0.5±0.05)%/ °C
NOCT (Air 20°C; Sun 0.8kW/m wind 1m/s)	47±2°C	47±2°C
Operating temperature	-40°C to 85°C	-40°C to 85°C
Maximum system voltage	600V DC	600V DC
Power tolerance	± 5%	± 5%

*STC:Irradiance 1000W/m², AM1.5 spectrum, module temperature 25°C

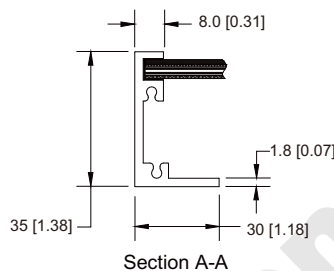


Module Diagram

Dimensions in brackets are in inches.
 Un-bracketed dimensions are in millimeters.
 Unit:mm[in.]



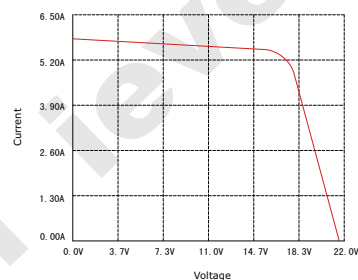
Junction Box
Top View (Lid open)



Features

- Nominal 12V DC for standard output.
- Outstanding low-light performance.
- Heavy-duty anodized frames.
- High transparent low-iron,tempered glass.
- Cells are laminated with TPT and EVA ensuring longer life and maximum performance.
- Rugged design to withstand high wind pressure, hail and snow load.
- Aesthetic appearance.
- 25 years limited power output warranty.
- Custom design capabilities allow us to meet unique customer demands.

Characteristics



Module IV Graph 90W

Specifications

	SLP90-12	SLP95-12
Cells	Multicrystalline silicon solar cell	Multicrystalline silicon solar cell
No. of cells and connections	36(4X9)	36(4X9)
Module Dimension	1116mm[43.94in.]x670mm[26.38in.]x35mm[1.38in.]	1174mm[64.22in.]x670mm[26.38in.]x35mm[1.38in.]
Weight	7.7kg[16.98lbs]	8.0kg[17.64lbs]

* Specifications are subject to change without notice at any time.