



High Efficiency, High Quality PV Module.

SP5-6/ SP5-12

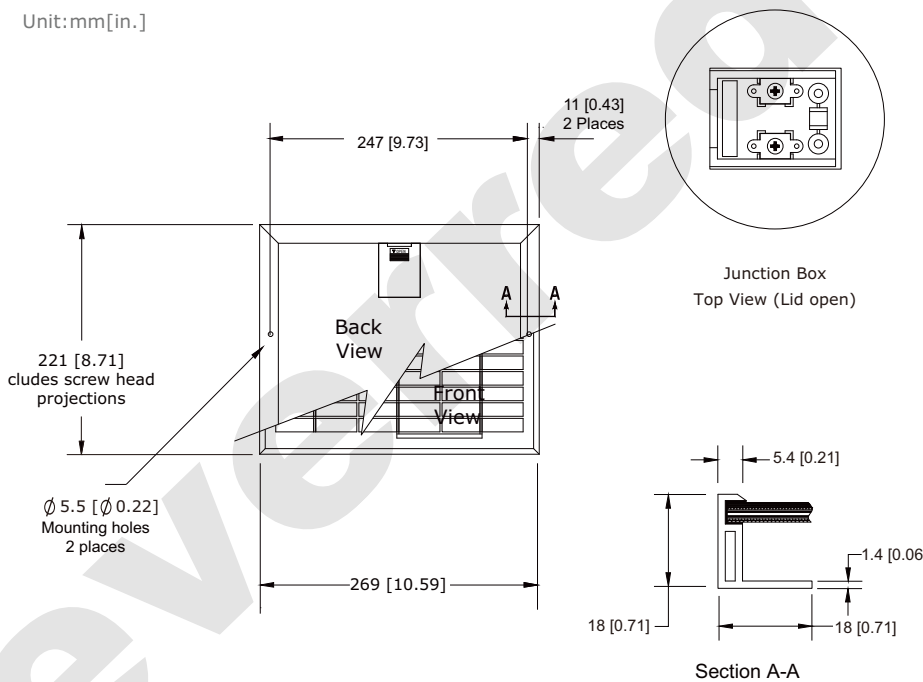
Electrical Characteristics	SP5-6	SP5-12
Maximum power (Pmax)	5W	5W
Voltage at Pmax (Vmp)	8.6V	17V
Current at Pmax (Imp)	0.58A	0.29A
Open-circuit voltage (Voc)	10.5V	21.6V
Short-circuit current (Isc)	0.67A	0.34A
Temperature coefficient of Voc	(0.065±0.015)%/ °C	(0.065±0.015)%/ °C
Temperature coefficient of Isc	-(80±10)mV/°C	-(80±10)mV/°C
Temperature coefficient of power	-(0.5±0.05)%/ °C	-(0.5±0.05)%/ °C
NOCT (Air 20°C; Sun 0.8kW/m wind 1m/s)	47±2°C	47±2°C
Operating temperature	-40°C to 85°C	-40°C to 85°C
Maximum system voltage	600V DC	600V DC
Power tolerance	± 5%	± 5%

*STC: Irradiance 1000W/m², AM1.5 spectrum, module temperature 25°C



Module Diagram

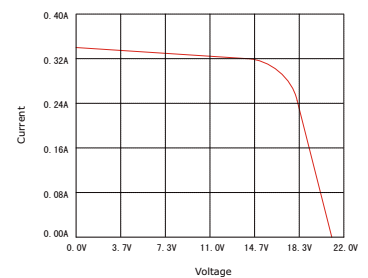
Dimensions in brackets are in inches.
 Un-bracketed dimensions are in millimeters.
 Unit:mm[in.]



Features

- Nominal 6V/12V DC for standard output.
- Outstanding low-light performance.
- Heavy-duty anodized frames.
- High transparent low-iron, tempered glass.
- Cells are laminated with TPT and EVA ensuring longer life and maximum performance.
- Rugged design to withstand high wind pressure, hail and snow load.
- Aesthetic appearance.
- 25 years limited power output warranty.
- Custom design capabilities allow us to meet unique customer demands.

Characteristics



Specifications

	SP5-6	SP5-12
Cells	Multicrystalline silicon solar cell	Multicrystalline silicon solar cell
No. of cells and connections	36(3X12)	36(3X12)
Module Dimension	289mm[11.38in.]x188mm[7.40in.]x18mm[0.71in.]	221mm[8.71in.]x269mm[10.59in.]x18mm[0.71in.]
Weight	0.8kg[1.76lbs]	0.75kg[1.65lbs]

* Specifications are subject to change without notice at any time.