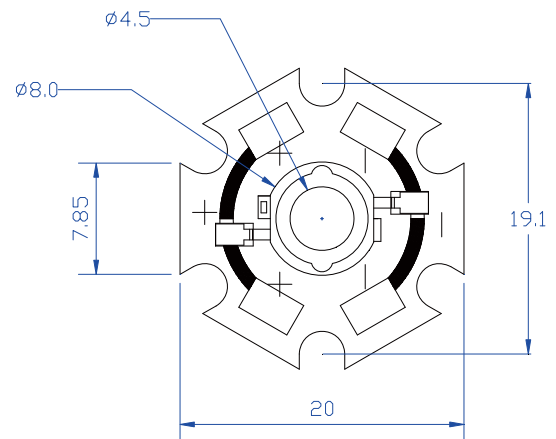


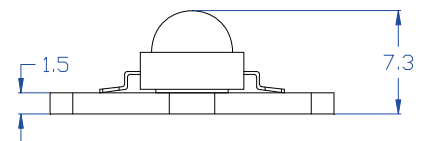
**Features:**

- Highest Flux White
- High reliability and Very long operating life
- Low voltage DC operated
- More Energy Efficient
- NO UV
- Superior ESD protection
- RoHS Compliant

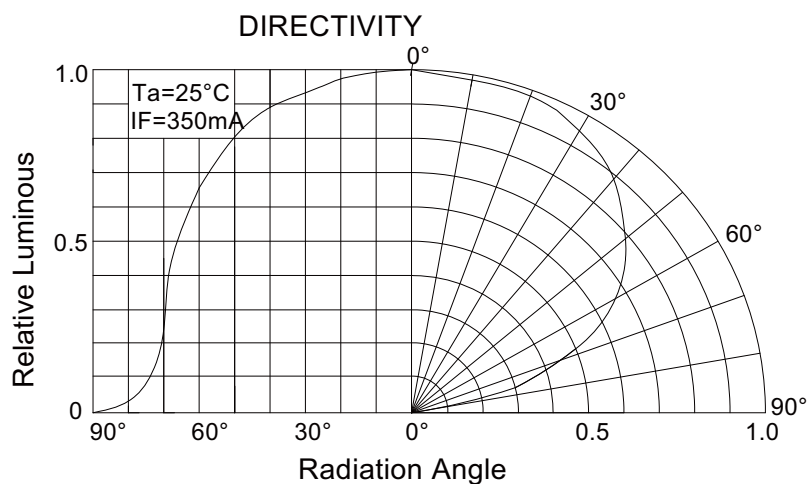
**Typical Applications:**

- Reading lights
- Portable
- Automotive Exterior
- Decorative

Anode(+)  CathODE(-)

**NOTE:**

- All dimensions are millimeter.
- Tolerance is  $\pm 0.25\text{mm}$  unless noted



**Absolute maximum ratings (Ta = 25°C)**

Parameter	Symbol	Test Condition	Value		Unit
			Min.	Max.	
DC Forward Current	IF	----	----	350	mA
Peak Pulse Current	Ipeak	Duty=0.1mS, 1kHz	----	500	mA
Power Dissipation	Pd	----	----	1.4	W
LED Junction Temperature	Tj	----	----	120	°C
Operating Temperature	Topr	----	-25	+80	°C
Storage Temperature	Tstr	----	-40	+100	°C
ESD Sensitivity	----	HBM	8000	----	V

**Electrical and optical characteristics (Ta = 25°C)**

Parameter	Symbol	Test Condition	Value			Unit
			Min.	Typ.	Max.	
Forward Voltage	VF	IF = 350mA	3.0	3.4	4.0	V
Luminous Flux	Φv		----	70	----	lm
Viewing Angle	2θ1/2		----	120	----	Deg.
Color Temperature	CCT		5000	----	8000	K

**Luminous Flux Bins (Ta = 25°C)****Unit: lm**

Bin	K	L	M
Min	60	70	80
Max	70	80	100

**CCT Bins (Ta = 25°C)****Unit: K**

Bin	W6	W7	W8	W9
Min	5000	5600	6300	7000
Max	5600	6300	7000	8000

**Note**

1. Flux is measured with an accuracy of ±15%
2. CCT is measured with an accuracy of ± 200K
3. Dominant Wavelength is measured with an accuracy of ± 1.5nm
4. Forward Voltage is measured with an accuracy of ± 0.15V