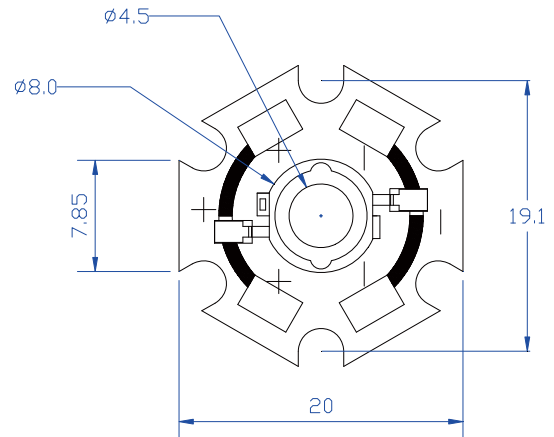


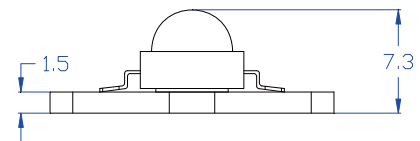
Features:

- Highest Flux
- High reliability and Very long operating life
- Low voltage DC operated
- More Energy Efficient
- NO UV
- Superior ESD protection
- RoHS Compliant

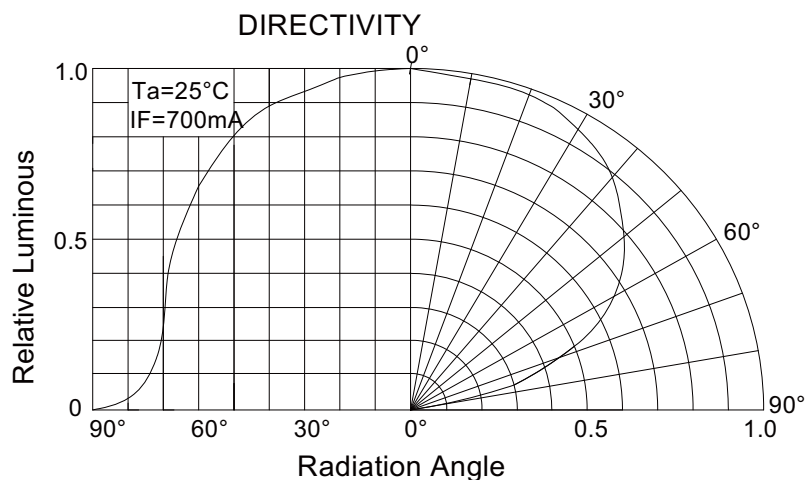
**Typical Applications:**

- Reading lights
- Portable
- Automotive Exterior
- Decorative

Anode(+)  CathODE(-)

**NOTE:**

- All dimensions are millimeter.
- Tolerance is $\pm 0.25\text{mm}$ unless noted





Absolute maximum ratings (Ta = 25°C)

Parameter	Symbol	Test Condition	Value		Unit
			Min.	Max.	
DC Forward Current	IF	----	----	700	mA
Peak Pulse Current	Ipeak	Duty=0.1mS, 1kHz	----	1000	mA
Power Dissipation	Pd	----	----	3	W
LED Junction Temperature	Tj	----		120	°C
Operating Temperature	Topr	----	-25	+100	°C
Storage Temperature	Tstr	----	-40	+120	°C
ESD Sensitivity	---	HBM	8000	---	V

Electrical and optical characteristics (Ta = 25°C)

Parameter	Symbol	Test Condition	Value			Unit
			Min.	Typ.	Max.	
Forward Voltage	VF	IF = 700mA	3.2	3.5	4.0	V
Luminous Flux	Φv		----	25	----	lm
Viewing Angle	2θ 1/2		----	140	----	Deg.
Dominant Wavelength	λd		460	----	470	nm

Luminous Flux Bins (Ta = 25°C)

Unit:lm

Bin	D	E	F
Min	15	20	25
Max	20	25	30

Note

1. Flux is measured with an accuracy of ±15%
2. CCT is measured with an accuracy of ± 200K
3. Dominant Wavelength is measured with an accuracy of ± 1.5nm
4. Forward Voltage is measured with an accuracy of ± 0.15V