



Part No.: L-515PG25C



**ATTENTION**

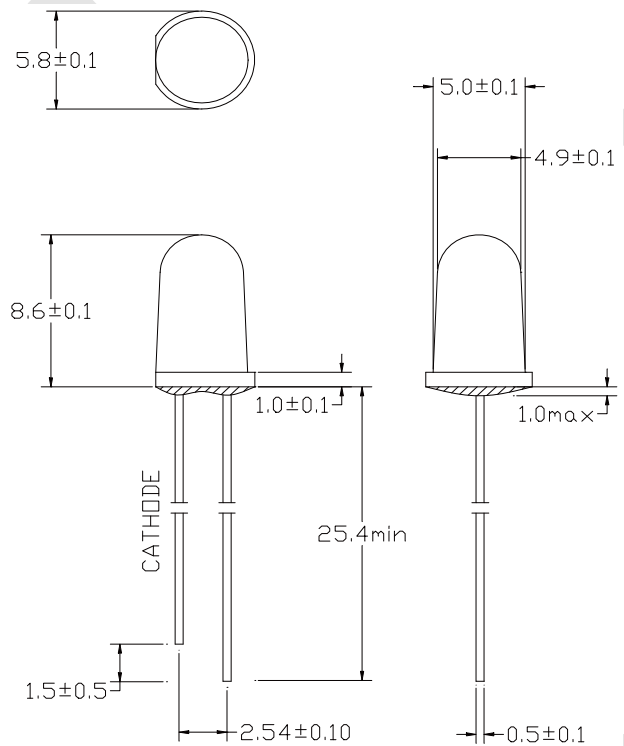
OBSERVE PRECAUTIONS  
FOR HANDLING  
ELECTROSTATIC  
DISCHARGE  
SENSITIVE  
DEVICES

➤ **Features**

- Single color
- High bright output
- Low power consumption
- High reliability and long life

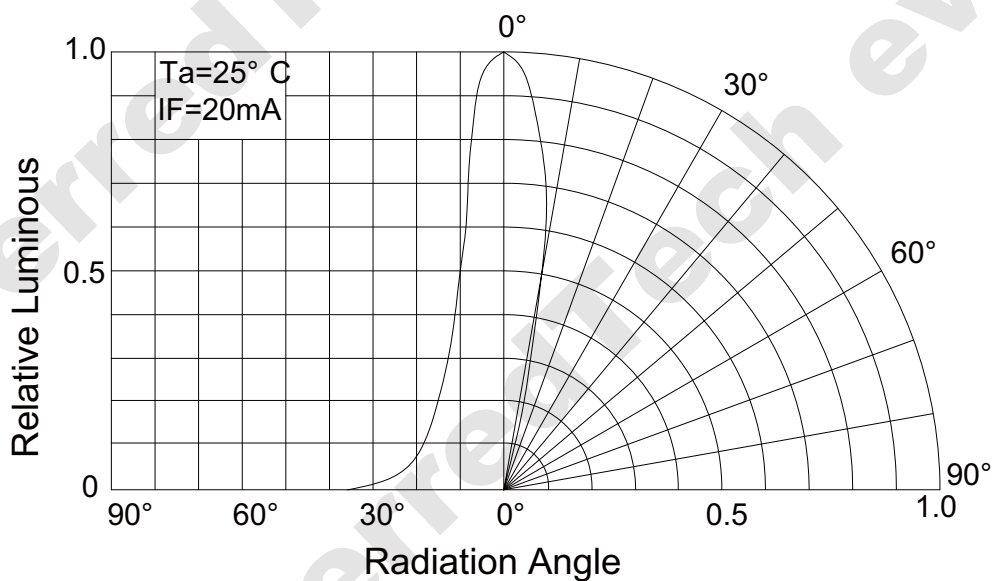
➤ **Descriptions:**

- Dice material: InGaN
- Emitting Color:  
Super Bright Pure Green
- Device Outline:  
φ 5mm Round Type/ 5mm
- Lens Type:  
Water Clear



1. All dimensions are millimeters
2. Tolerance is  $\pm 0.25$  mm unless otherwise noted

➤ **Directivity:**





Part No.: L-515PG25C

**Absolute maximum ratings (Ta = 25°C)**

Parameter	Symbol	Test Condition	Value		Unit
			Min.	Max.	
Reverse Voltage	V <sub>R</sub>	I <sub>R</sub> = 30 μA	5	--	V
Forward Current	I <sub>F</sub>	----	----	30	mA
Power Dissipation	P <sub>d</sub>	----	----	105	mW
Pulse Current	I <sub>peak</sub>	Duty=0.1mS, 1kHz	----	100	mA
Operating Temperature	T <sub>opr</sub>	----	-20	+85	°C
Storage Temperature	T <sub>str</sub>	----	-25	+100	°C

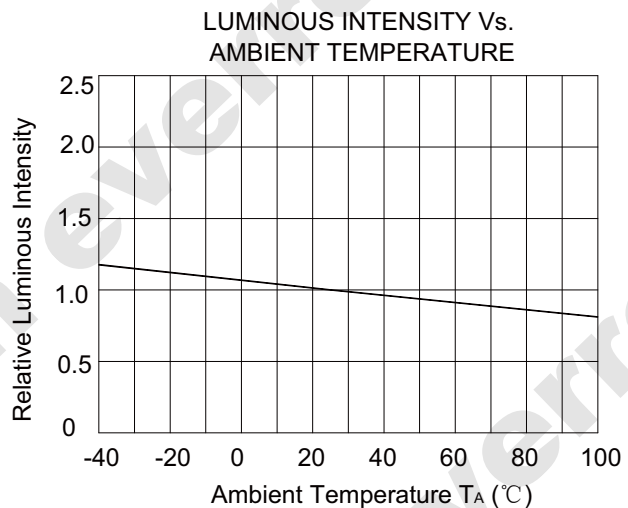
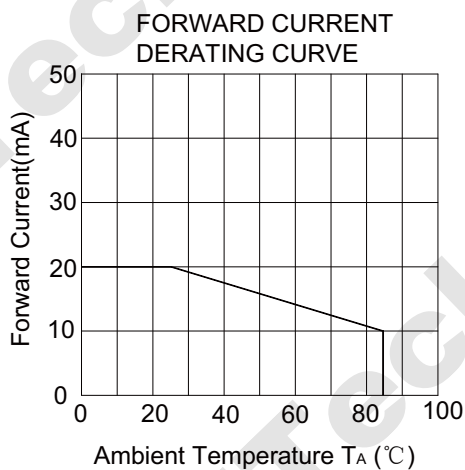
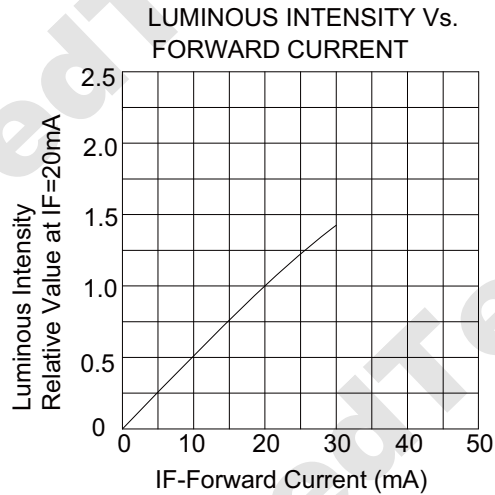
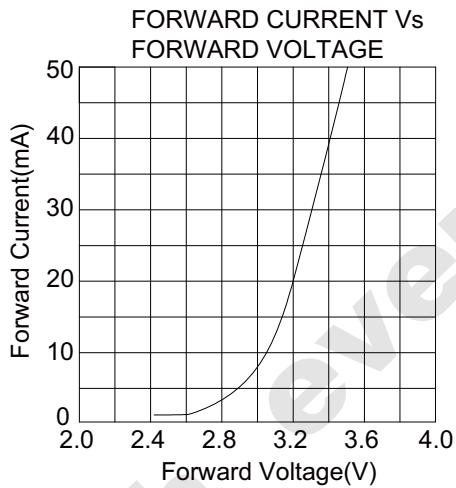
**Electrical and optical characteristics (Ta = 25°C)**

Parameter	Symbol	Test Condition	Value			Unit
			Min.	Typ.	Max.	
Forward Voltage	V <sub>F</sub>	I <sub>F</sub> = 20mA		3.0		
Reverse Current	I <sub>R</sub>	V <sub>R</sub> = 5V	----	----	30	μA
Dominate Wavelength	λ <sub>d</sub>	I <sub>F</sub> = 20mA		525		
Spectral Line half-width	Δλ	I <sub>F</sub> = 20mA	----	35	----	nm
Luminous Intensity	I <sub>v</sub>	I <sub>F</sub> = 20mA		11000		
Viewing Angle	2θ 1/2	I <sub>F</sub> = 20mA	17		23	Deg.



Part No.: L-515PG25C

**Typical electrical/optical characteristic curves:**



**525/35**

